

Rectangular OSM60



Description:

Laser ranging sensor
 Laser source, metal housing
 Can be displayed by LED and set by button
 Multiple interfaces

Features:

- LED display + LED indicator
- Strong resistance to extreme light interference
- Analog, digital output
- Teach button setting
- Compact size

Type List:

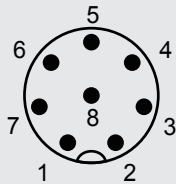
Type	Detection distance	Light type	Switching frequency	Output	Resolution	Connection	Wiring diagram
OSM60-KL10V2BLIU6Q12.8	0.2-10m	Infrared	— —	2xPush-Pull Analog mAVV	1cm	M12 connector	Fig. 1

Technical Data:

Supply voltage	10-30VDC
Power	< 1W
Analog output	Voltage 0-10V, current 4-20mA
Switch output	2xPush-pull
Resolution (mm)	1cm
Repeatability	30min
Yellow LED flashes	9cm
Spot size/distance	20ms
Working temperature	1cm
Measurement accuracy	Ready
Green LED is bright	Object detection, teaching
Housing material	Stainless steel
Preheat time	40*95mm/8m
Response time	-20 C...+50 C
Connection type	M12 connector
Protection grade	IP67
Laser class	Class 2 infrared laser, EN 60825-1 standard 780nm
Dimensions (mm)	68.5x69.7x37

Rectangular OSM60

Interface output:

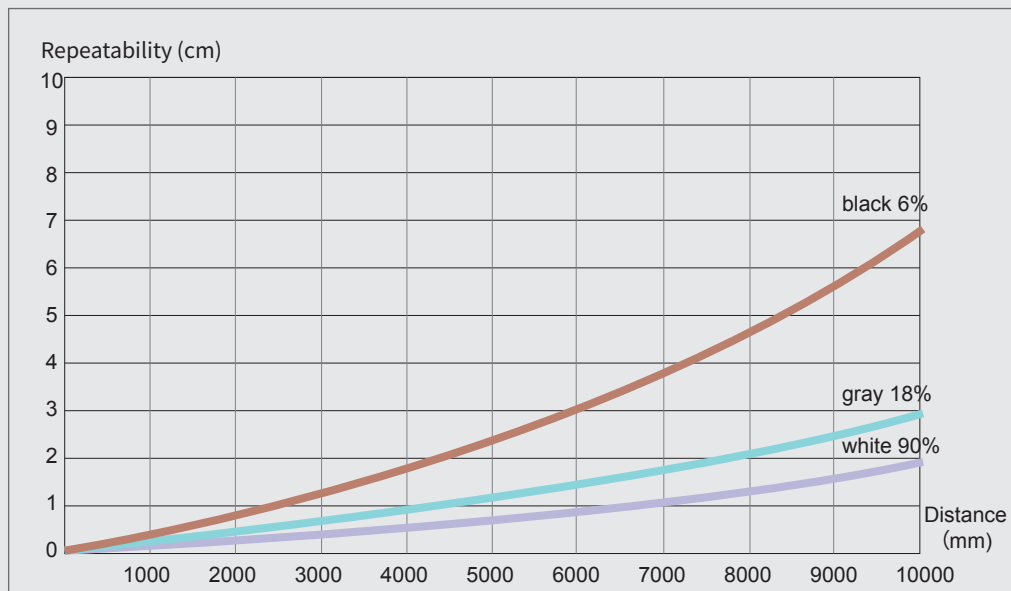


CO12.8-2/WS/P
Connector model with 2m cable
Fig. 1

Serial number	Outlet color	Function
1	white	N/A
2	brown	10...30VDC
3	green	Q _A ANALOG OUTPUT(I)
4	yellow	Q1
5	grey	Q2
6	pink	Q _V ANALOG OUTPUT(V)
7	blue	0V
8	red	TRIGGER

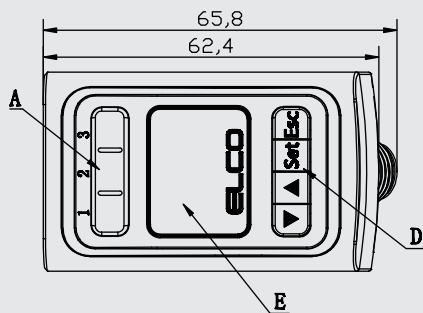
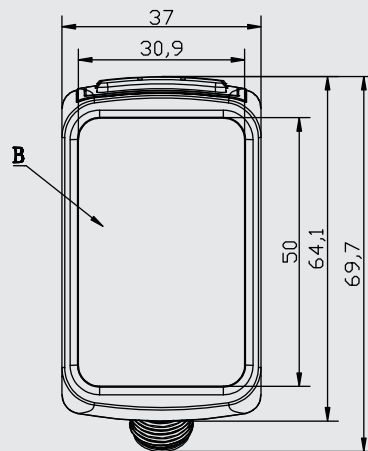
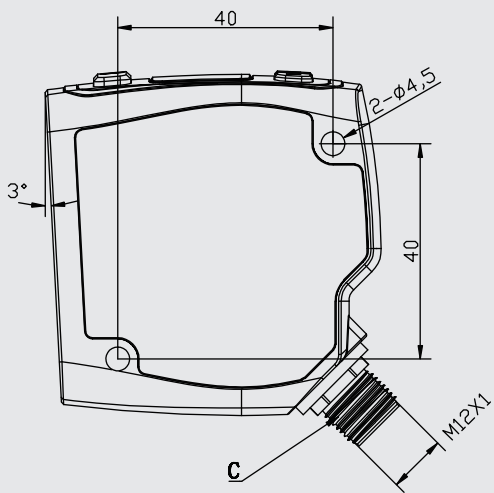
Repeatability:

Repeatability (cm)
[white 90%, gray 18%, black 6%]



Rectangular OSM60

Dimensions:



- A 1 (green) 2 (yellow) 3 (yellow) indicator
- B Remitting and receiving
- C M12*1 connector
- D Button
- E Display

Mounting brackets:

